

[EXPLODED VIEW]

- 1. Screw
- 2. Spring Washer
- 3. Left Support
- 4. Ball Bearing
- 5. Centrifugal Switch #
- 6. Screw
- 7. Stator Housing
- 8. Stator
- 9. Rotor Shaft*

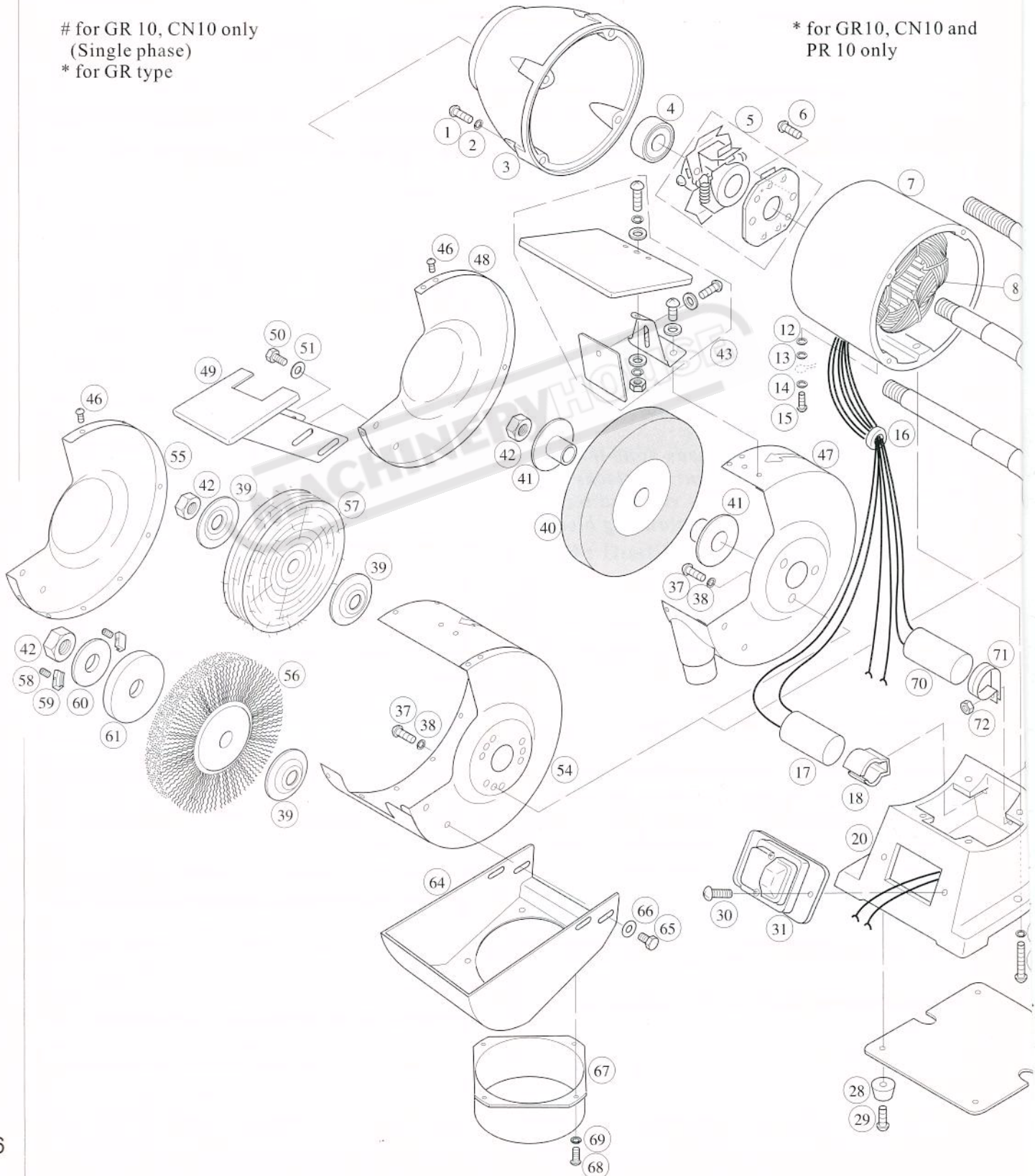
- 10. Fan
- 11. Right Support
- 12. Ext. Washer
- 13. Copper Set
- 14. Int. Washer
- 15. Screw
- 16. Grommet Rubber
- 17. Running Capacitor
- 18. Clamp
- 19. Screw

- 20. Grinding Base
- 21. Screw
- 22. Cable Strainer
- 23. Fixing Plate
- 24. Power Cord
- 25. Washer
- 26. Screw
- 27. Base Plate
- 28. Pad
- 29. Screw

- 30. Screw
- 31. NVR
- 32. Overload Protector*
- 34. Spring Washer*
- 35. Hex. Nut*
- 36. Screw
- 37. Screw
- 38. Spring Washer
- 39. Disc Washer

for GR 10, CN10 only
(Single phase)
* for GR type

* for GR10, CN10 and
PR 10 only



Grinding Wheel
 Leve
 Hex. Nut
 Meshshield Set
 Right Int. Cover A
 Right Wheel Cover A
 Crew
 Left Int. Cover A
 Left Wheel Cover A
 Toolrest

50. Hex. Bolt
 51. Washer
 52. Right Int. Cover B
 53. Right Wheel Cover B
 54. Left Int. Cover B
 55. Left Wheel Cover B
 56. Wire Brush
 57. MOP/Buffer
 58. Set Screw
 59. Balance Block

60. Washer
 61. Balancing Flange
 62. Rotor Shaft*1
 63. Rotor Shaft*2
 64. Dust Collector
 65. Hex. Bolt
 66. Washer
 67. Chip Outlet
 68. Screw
 69. Spring Washer

70. Starting Capacitor *
 71. Clamp *
 72. Hex. Nut *
 73. Wiring Board

44+45+47+48 for GR type
 47+48+52+53 for CN type
 52+53+54+55 for PR type

*1 for CN type
 *2 for PR type

*for GR 10, CN10 only
 (Single phase)

